



Kasa Smart Wi-Fi Light Switch, Dimmer



White



Light Almond



Black

HS220



Highlights

Smart Dimming

Adjust your home's brightness freely using the Kasa Smart app, built-in dimmer buttons, and voice commands via Alexa or Google Assistant. With the Fade On/Off feature, smoothly adjust lighting levels without sudden eye-irritating brightness or darkness.



Highlights

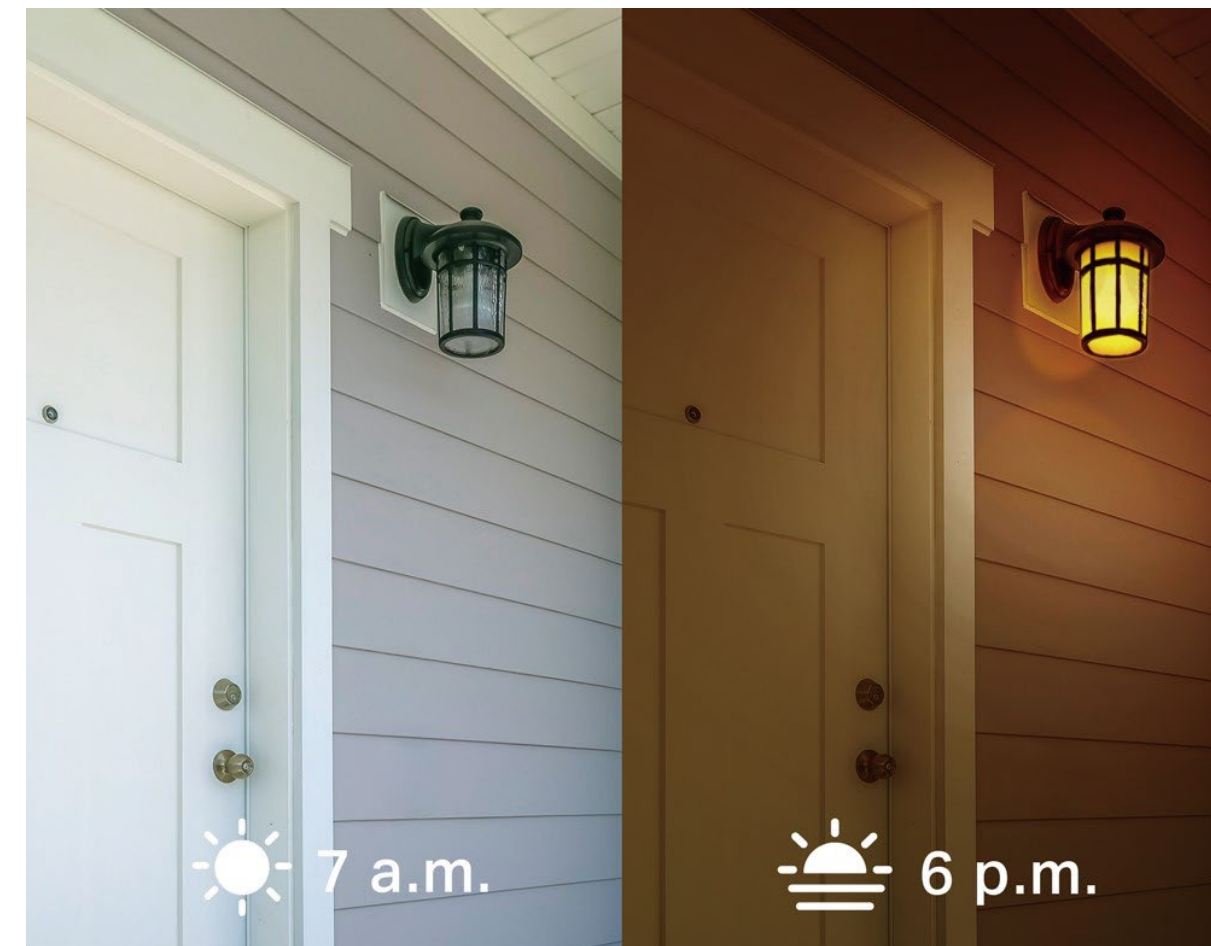
Brightness Control

Control the brightness of your lights to set the perfect ambiance for any activity.



Voice Control

Use simple voice commands to control your smart dimmer switch with Alexa or Google Assistant.



Features

- **Schedule**

Set your dimmer to automatically turn on and off while you're home or away.

- **Remote Control**

Control your connected lights from anywhere, anytime via the free Kasa Smart app.

- **Away Mode**

Set your smart light switch to turn connected fixtures on and off at random intervals to give the appearance you're home even while you're away.

- **Fade On/Off**

Smart dimmer switch smoothly adjusts lighting levels without sudden eye-irritating brightness or darkness. Fade off the lights in your children's bedrooms as they drift off to sleep.

- **UL Certified**

Housed with V-0 (UL94) flame-retardant material, the smart dimmer switch is UL listed for safety use.

- **Group & Scene**

Group your smart switch with other smart devices to control them all at once. Set custom scenes to match any occasion like waking up.

- **No Hub Required**

Easily connect directly to your secured 2.4GHz home Wi-Fi network.

- **Led Indicator**

With an illuminating LED indicator, you'll always be able to find your smart dimmer switch even when it's dark.



Specifications

Electrical

- Rating: 100-120V~ 50/60Hz
- Max Load: 15 A General Use, 600 W Incandescent, 120 W Ceiling Fan, 1/6 HP Motor
- In-Wall Depth: 1.35 in (34.2 mm)
- Dimming Type*: Leading Edge Dimming / TRIAC Phase Cut

*We recommend contacting your bulb's customer support to verify its compatible dimming options.

- Neutral wire required
- Standard wall box (at least 2 inches deep)
- Single pole switch. Not compatible with 3-way (multi-location) wiring.

Set Up

- Black and Light Almond: Bluetooth setup (Select **Smart Switch (BLE)** in the Kasa Smart app)
- White: Wi-Fi setup (Select **Smart Switch (Wi-Fi)** in the Kasa Smart app)

Requirements

- IEEE 802.11b/g/n, 2.4 GHz Wi-Fi, Bluetooth for setup only (for black and light almond switches)
- Kasa Smart app and account

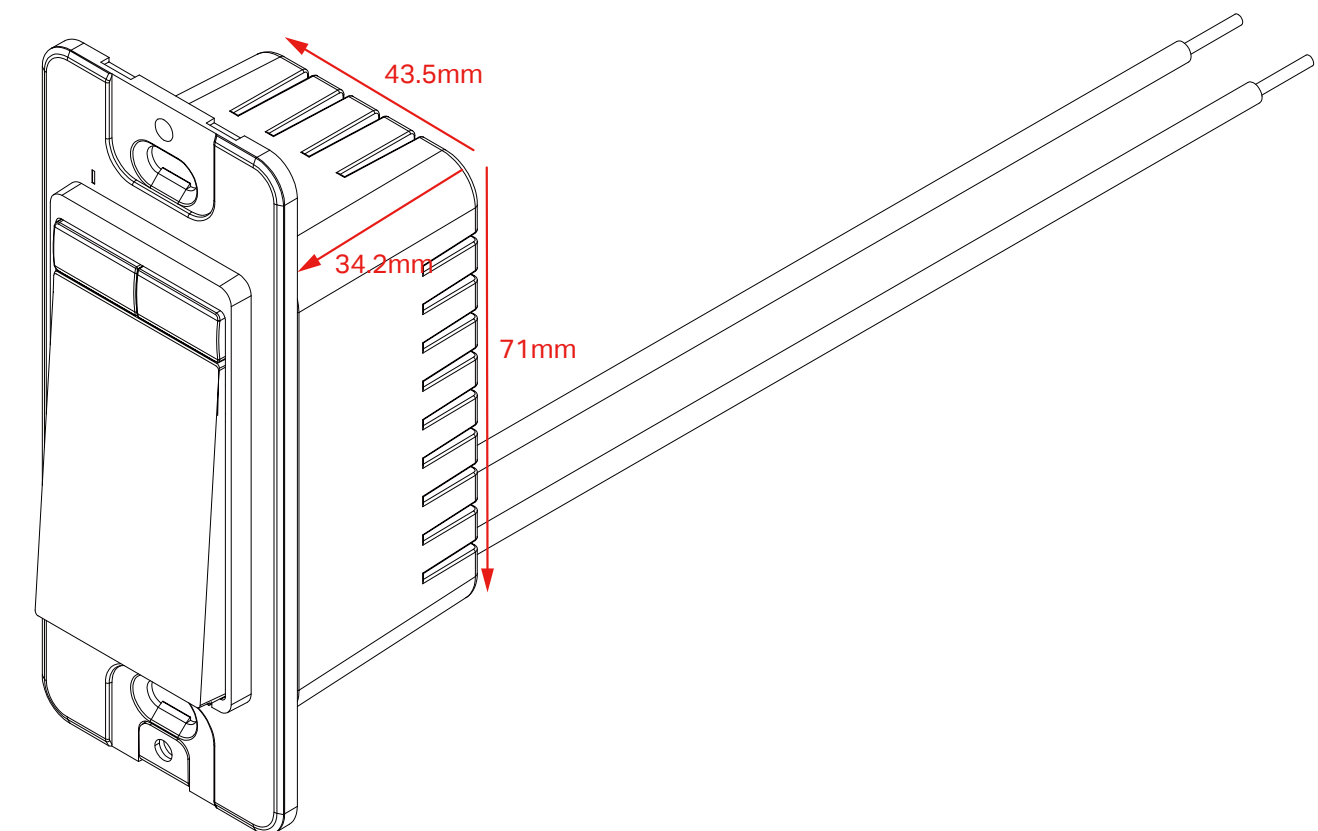
Please do not use in damp environments or outdoors.

General

- Indoor Use Only
- Buttons: Switch Button, Restart Button, Reset Button, Brightness Up/Down Buttons
- Operating Temperature: 0 °C ~ 40 °C (32°F ~ 104°F)
- Operating Humidity: 10%~90%RH, Non-condensing
- Certifications: FCC, IC, UL, RoHS

Package Contents

- 1× Smart Wi-Fi Light Switch
- 1× Wall Plate
- 2× Screws
- 4× Wire Nuts
- Wire Labels
- Quick Start Guide



www.tp-link.com

Specifications are subject to change without notice. All brands and product names are trademarks or registered trademarks of their respective holders.

©2024 TP-Link